

# UPRIGHT TOPPER

---

**SUZO**  **HAPP**®

**GAMING, AMUSEMENT AND INDUSTRIAL COMPONENTS**

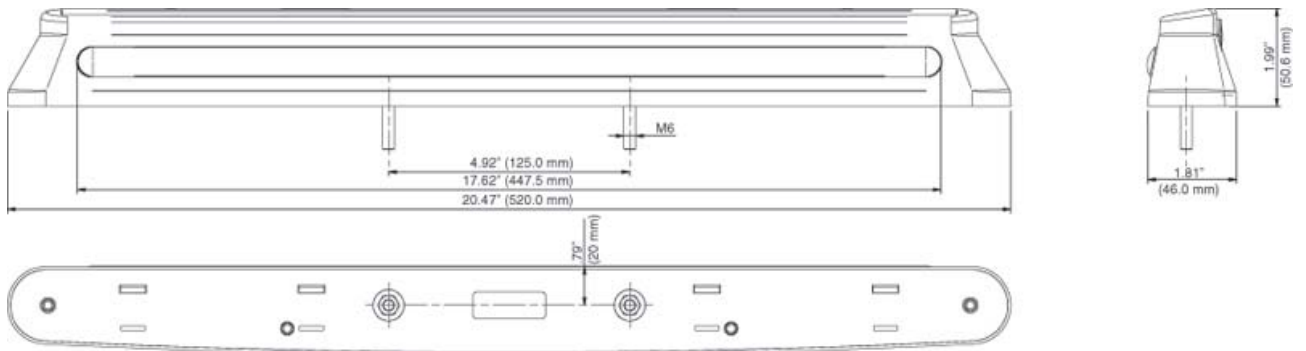


ORDER NUMBER: 104-01000

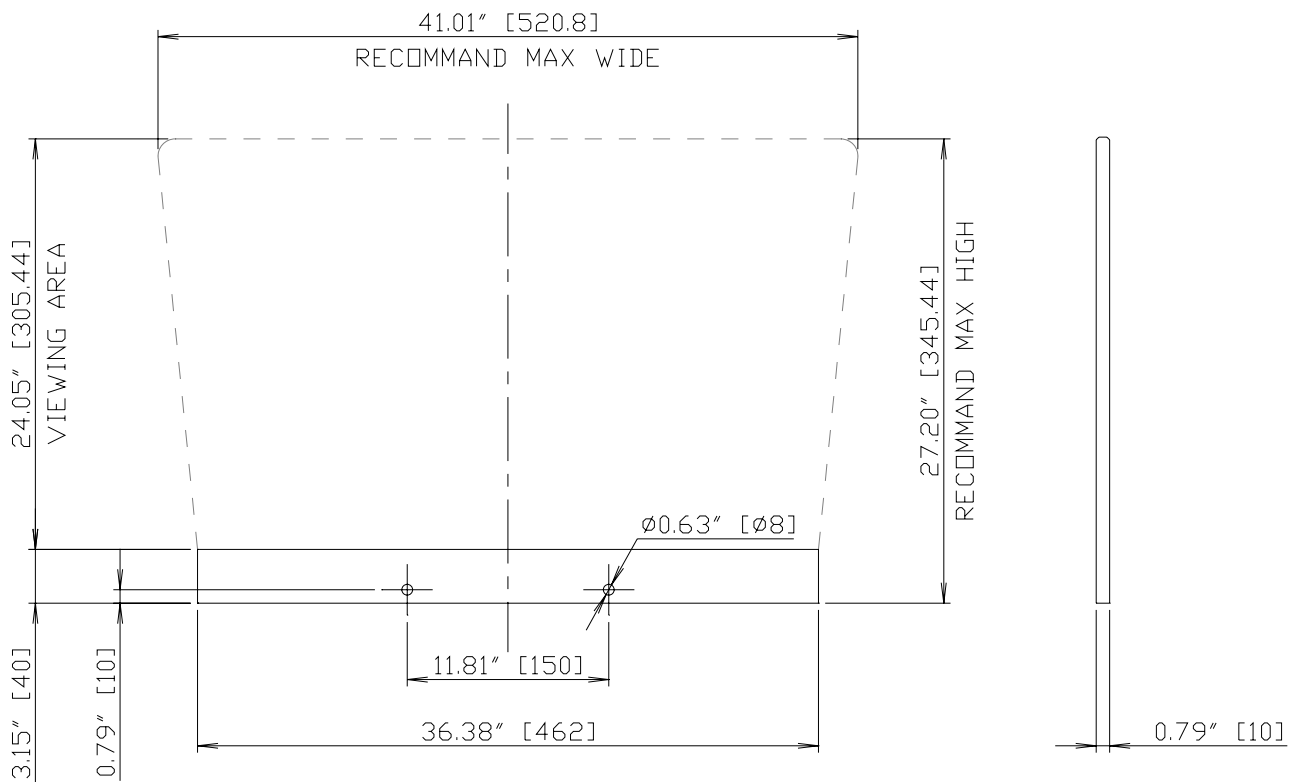
- *Highlight your machine with a sophisticated look*
- *Multi-colored LEDs illuminate your engraved or screened sign from below*
- *Artwork and sign ( not included) can be engraved or screened on transparent materials (10 mm thick) such as acrylic plastic*
- *The sign can be cut into any desired shape*
- *To enhance the illumination effect it is recommended that the outside edges be white*

**Warning:** In case of removal of the diffuser bezel do not look straight into the LED's since this may cause serious eyes injuries!

# UPRIGHT TOPPER



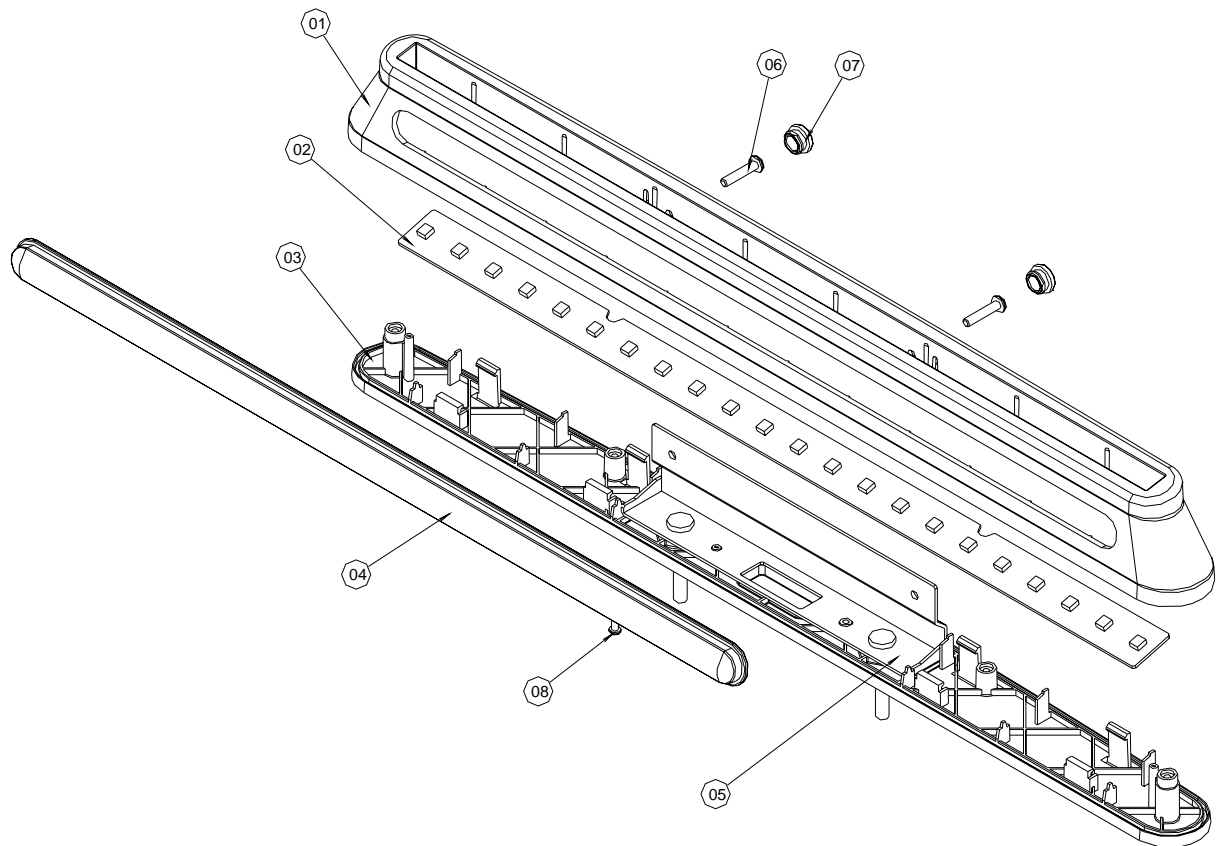
## TOPPER DIMENSIONS



## SIZE OF DIFFUSER

# UPRIGHT TOPPER

ITEM	P/N	DESCRIPTION	QTY
1		HOUSING - TOP	1
2		PCBA, LEDS	1
3		HOUSING - BOTTOM	1
4		ILLUMINATION COVER	1
5		MOUNTING BKT.	1
6		SCREW, M4X20 MSB	2
7		RUBBER CAP	2
8		SCREW, M3X12 BA	4

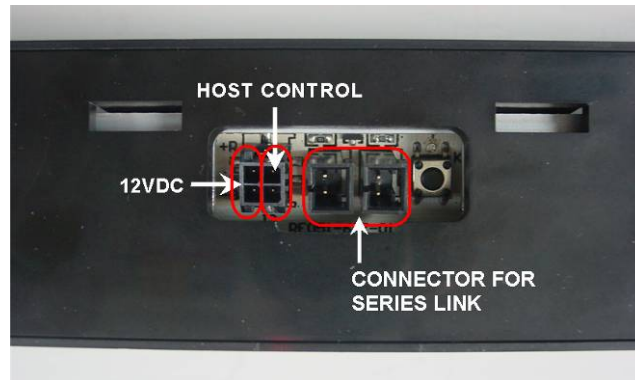
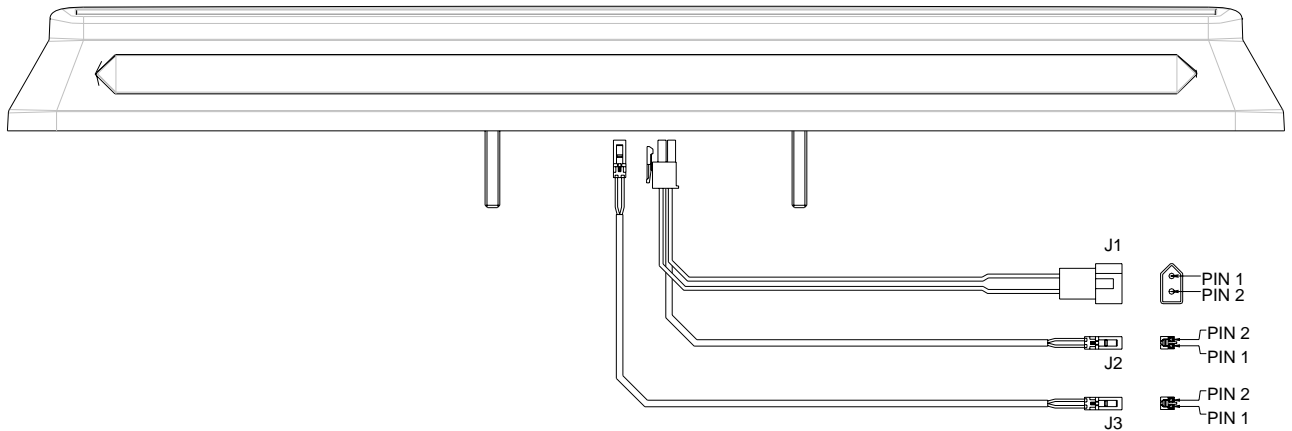


*Diffuser not included or available*

EXPLODED DRAWING

# UPRIGHT TOPPER

## CONNECTION DIAGRAM



NO	WIRE COLOR	FUNCTION	PIN	TOPPER CONNECTOR TYPE	MACHINE CONNECTOR TYPE
J1	RED	POWER 12VCD	1	MOLEX MALE	MOLEX FEMALE 03-09-1022 / 02-09-1118 (SOCKET)
	BLACK	POWER GROUND	2	03-09-2022	
J2	BLACK	HOST PULSE CONTROL	1	MOLEX HOUSING	MOLEX HEADER
	WHITE	HOST PULSE CONTROL	2	50-57-9402	70553-0001 / 70543-0001
J3	BLACK	SERIES LINK GROUND	1	MOLEX HOUSING	MOLEX HEADER
	WHITE	SERIES LINK TXD/RXD	2	50-57-9402 #70058 (TERMINAL)	70553-0001 / 70543-0001

### IMPORTANT:

1. Shut-off power from host machine during installation.
2. Power supply to Topper: 12VDC 4.5A.
3. For best performance, synchronize cable (J3) should not be longer than 10M.  
Extended cable should comply with UL 2464.

# UPRIGHT TOPPER

---

## FEATURES

- Color setting

You may select color of flashing on the illumination cover out of the seven pre-set combination by hosting machine control.

- Flashing pattern setting

You may select 6 pre-programmed flashing patterns by hosting machine control.

- Host Machine Control

You may change flashing pattern and color by Hosting Machine throw different duration pulses as follow:

REF.	COMMAND TYPE	COMMAND	PULSE DURATION RANGE
1	FLASHING	PATTERN 1	5 ms – 14 ms
2	FLASHING	PATTERN 2	15 ms – 24 ms
3	FLASHING	PATTERN 3	25 ms – 34 ms
4	FLASHING	PATTERN 4	35 ms – 44 ms
5	FLASHING	PATTERN 5	45 ms – 54 ms
6	FLASHING	PATTERN 6	55 ms – 64 ms
7	COLOR	RED – BLUE – WHITE	65 ms – 74 ms
8	COLOR	GREEN – WHITE – RED	75 ms – 84 ms
9	COLOR	BLUE – GREEN – RED	85 ms – 94 ms
10	COLOR	YELLOW – BLUE – WHITE	95 ms – 104 ms
11	COLOR	PURPLE – BLUE – WHITE	105 ms – 114 ms
12	FLASHING	ALL	115 ms – 124 ms

\*Last flashing pattern and color will be stored to memory when power off.\*

- Series Link for Topper in same Flashing Pattern and Color

You may synchronize color and flashing pattern for Toppers connected in series through standard RS232C COM port as below:

- Connect Toppers with synchronize cable (J3) to series link connector as shown on page 4.
- Conduct above settings to change color and /or flashing pattern through any one of the toppers connected in series.
- If Toppers are connected in series, the first powered up topper will dominate the color and pattern for whole series until it is changed.

Note: The specifications and information contained here are for quick reference only and are subject to change without notice. For detail product specification, please refer to formal product documentation.